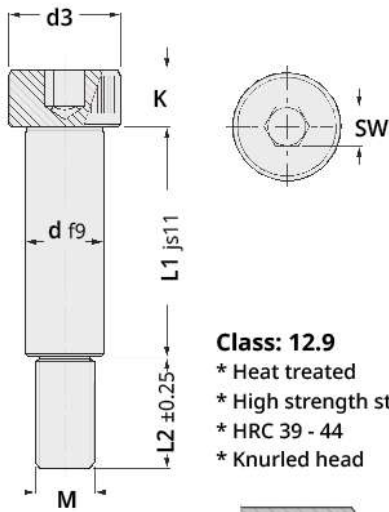




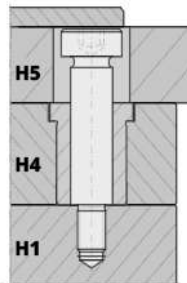
Shoulder Screw
ISO 7379 / Class: 12.9

Code: **G39**

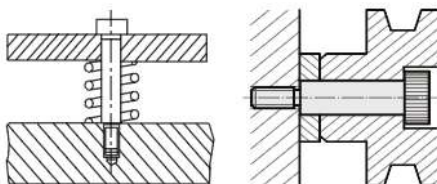


Class: 12.9
* Heat treated
* High strength steel
* HRC 39 - 44
* Knurled head

Impact test:
KCU 15 J Min.
Elasticity:
A = 8% Min.
Tensile stress:
Rm = 1200 N / mm²



Mounting Example



Order:
G39 x M x d x L1

In Spring Use (steel / polyurethane spring):
For precise and secure placement in spring use, also suitable to setting position to injection mould plates. Our production is available in desired dimensions materials and lengths.
Spring working area: h8
Yield stress: Rp = 1080 N / mm²

d	L1	M	d3	L2	K	SW
6	10	M5	10	9.5	4.5	3
	12					
	16					
	20					
	25					
	30					
	35					
	40					
	45					
	50					
55						
60						
8	10	M6	13	11	5.5	4
	12					
	16					
	20					
	25					
	30					
	35					
	40					
	45					
	50					
55						
60						
65						
70						
80						
90						
100						
10	16	M8	16	13	7	5
	20					
	25					
	30					
	35					
	40					
	45					
	50					
	55					
	60					
65						
70						
80						
90						
100						

d	L1	M	d3	L2	K	SW
12	16	M10	18	16	9	6
	20					
	25					
	30					
	35					
	40					
	45					
	50					
	55					
	60					
65						
70						
80						
90						
100						
120						
16	30	M12	24	18	11	8
	35					
	40					
	45					
	50					
	55					
	60					
	65					
	70					
	80					
90						
100						
120						
20	40	M16	30	22	14	10
	45					
	50					
	55					
	60					
	65					
	70					
	80					
	90					
	100					
120						
24	50	M20	36	27	16	12
	55					
	60					
	65					
	70					
	80					
	90					
	100					
	120					



springs